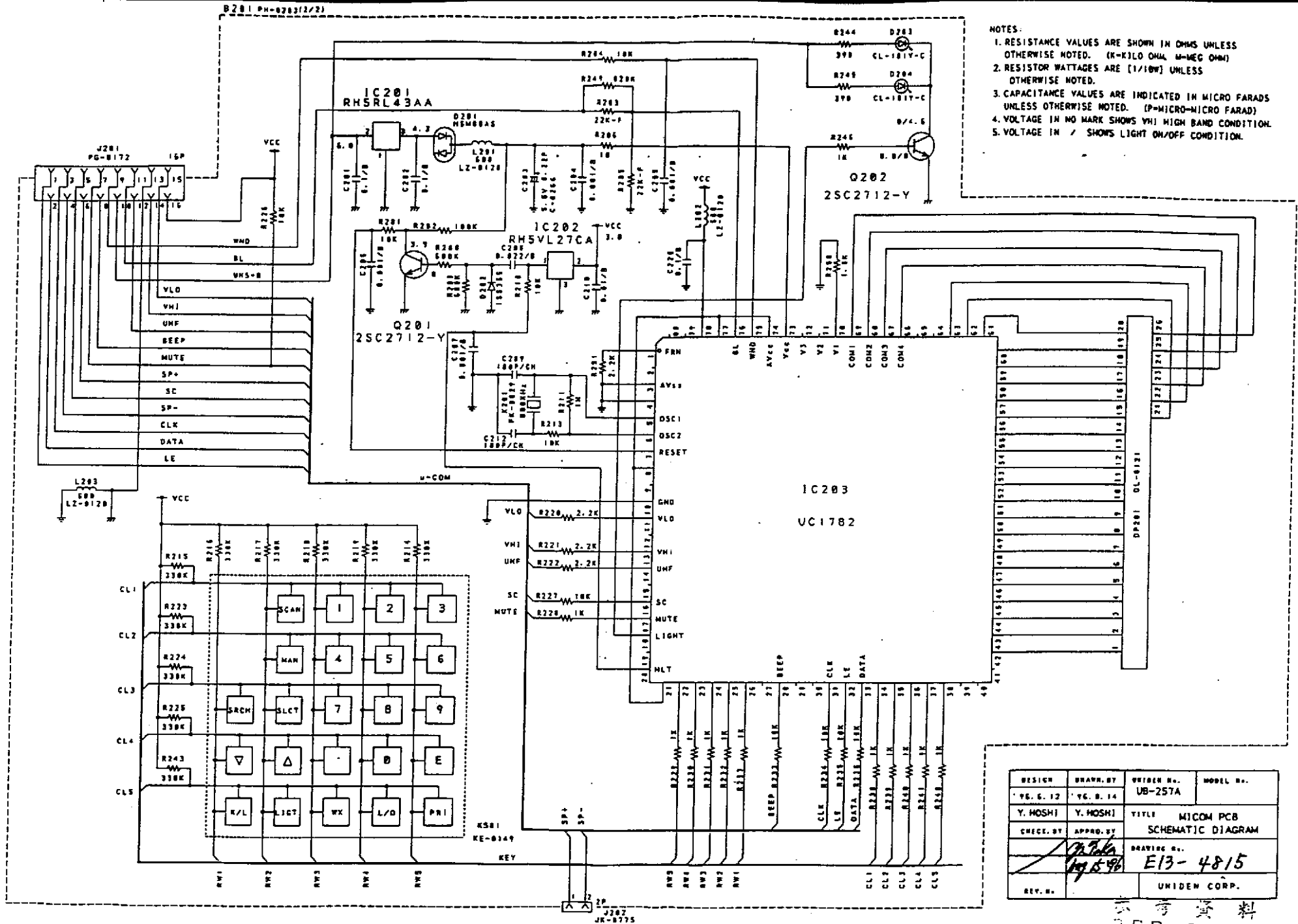
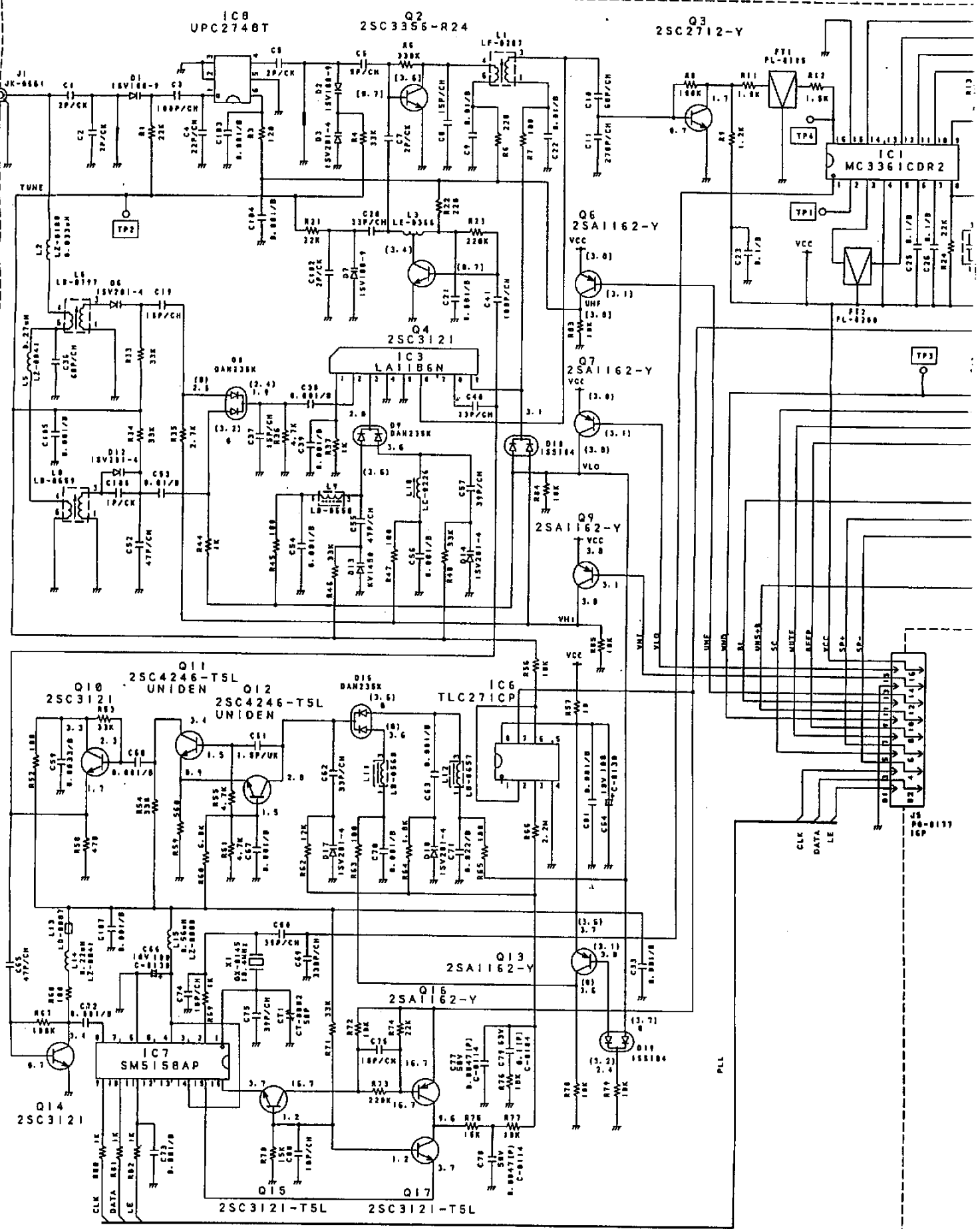


- NOTES:
1. RESISTANCE VALUES ARE SHOWN IN OHMS UNLESS OTHERWISE NOTED. (K=KILO OHM, M=MEG OHM)
 2. RESISTOR WATTAGES ARE [1/10W] UNLESS OTHERWISE NOTED.
 3. CAPACITANCE VALUES ARE INDICATED IN MICRO FARADS UNLESS OTHERWISE NOTED. (P=MICRO-MICRO FARAD)
 4. VOLTAGE IN NO MARK SHOWS VHI HIGH BAND CONDITION.
 5. VOLTAGE IN / SHOWS LIGHT ON/OFF CONDITION.

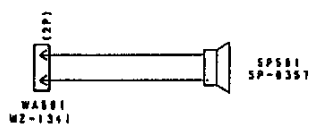
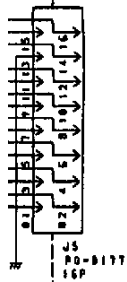
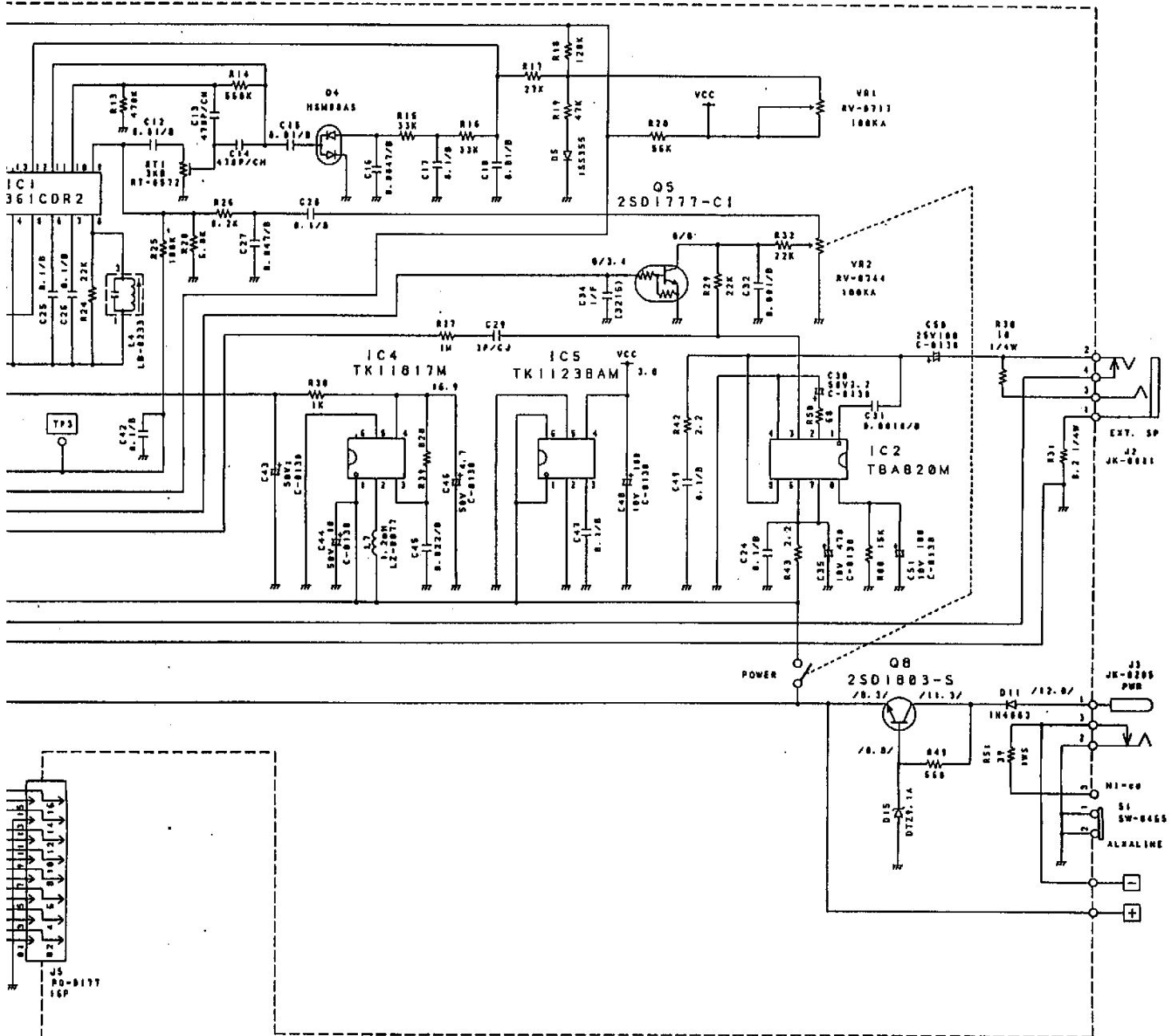


DESIGN	DRAWN BY	UIDEN NO.	MODEL NO.
Y. S. 12	Y. S. 14	UB-257A	
Y. HOSHI	Y. HOSHI	TITLE	MICOM PCB
CHECK BY	APPROV BY		SCHEMATIC DIAGRAM
		DRAWING NO.	E13-4815
REV. NO.		UIDEN CORP.	

資料
 専用
 ONLY
 AF6.5H



AE65H



SP581
SP-8357

- NOTES:
1. RESISTANCE VALUES ARE SHOWN IN OHMS UNLESS OTHERWISE NOTED. (K-KILO OHM, M-MEG OHM)
 2. RESISTOR WATTAGES ARE [1/10W] UNLESS OTHERWISE NOTED.
 3. CAPACITANCE VALUES ARE INDICATED IN MICRO FARADS UNLESS OTHERWISE NOTED. (P-MICRO-MICRO FARAD)
 4. CHIP PARTS ARE NOT SPECIFIED IN THIS DRAWING PLEASE REFER TO THE PARTS LIST FOR THE CHIP PARTS.
 5. VOLTAGE IN () SHOWS UHF BAND CONDITIONS.
 6. VOLTAGE IN [] SHOWS VHI LOW BAND CONDITIONS.
 7. VOLTAGE IN NO MARK SHOWS VHI HIGH BAND CONDITIONS.
 8. VOLTAGE IN / / SHOWS SUPPLY 12 VDC AT POWER JACK CONDITIONS.
 9. VOLTAGE IN / SHOWS UNSQUELCHED / SQUELCHED CONDITIONS.

AE65H

DESIGN	DRAWN BY	UNIDEN NO.	MODEL NO.
'86. 6. 12	'86. 8. 14	UB-257A	7
Y. HOSHI	Y. HOSHI	TITLE MAIN PCB SCHEMATIC DIAGRAM	
CHECK BY	APPROV BY	DRAWING NO. E12-4814	
REV. NO	UNIDEN CORP.		

参考資料
REF. ONLY